



ALPINE SANITATION & SUPPLIES LTD.
24 Ronson Drive, Unit 16, Etobicoke, Ontario M9W 1B4
Bus: (416)-744-2120 Fax: (416)-249-1859 Toll Free: 1-800 465-6198

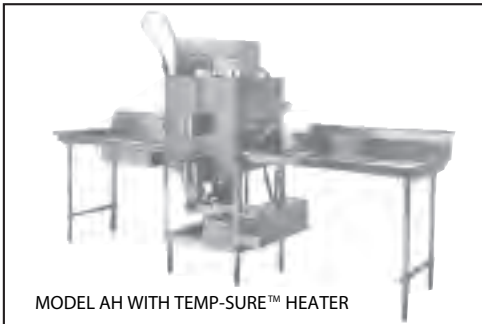
CMA TEMP-SURE™

Hot Water Assurance System
For Dump And Fill Style
Dishwashers



FEATURES:

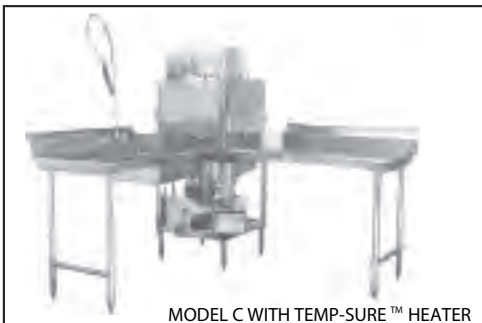
- ? Specifically designed to maintain proper rinse temperatures in dump and fill style dishwasher.
- ? 12kW industrial heater is proven to be more durable than commercial style heater.
- ? Fast recovery, 40° rise in 90 seconds.
- ? Available 208/240 volt, single or three phase for flexible applications.
- ? Universal mounting system fits all single tank CMA models and most competitor model dishwashers.
- ? Free standing units also available.



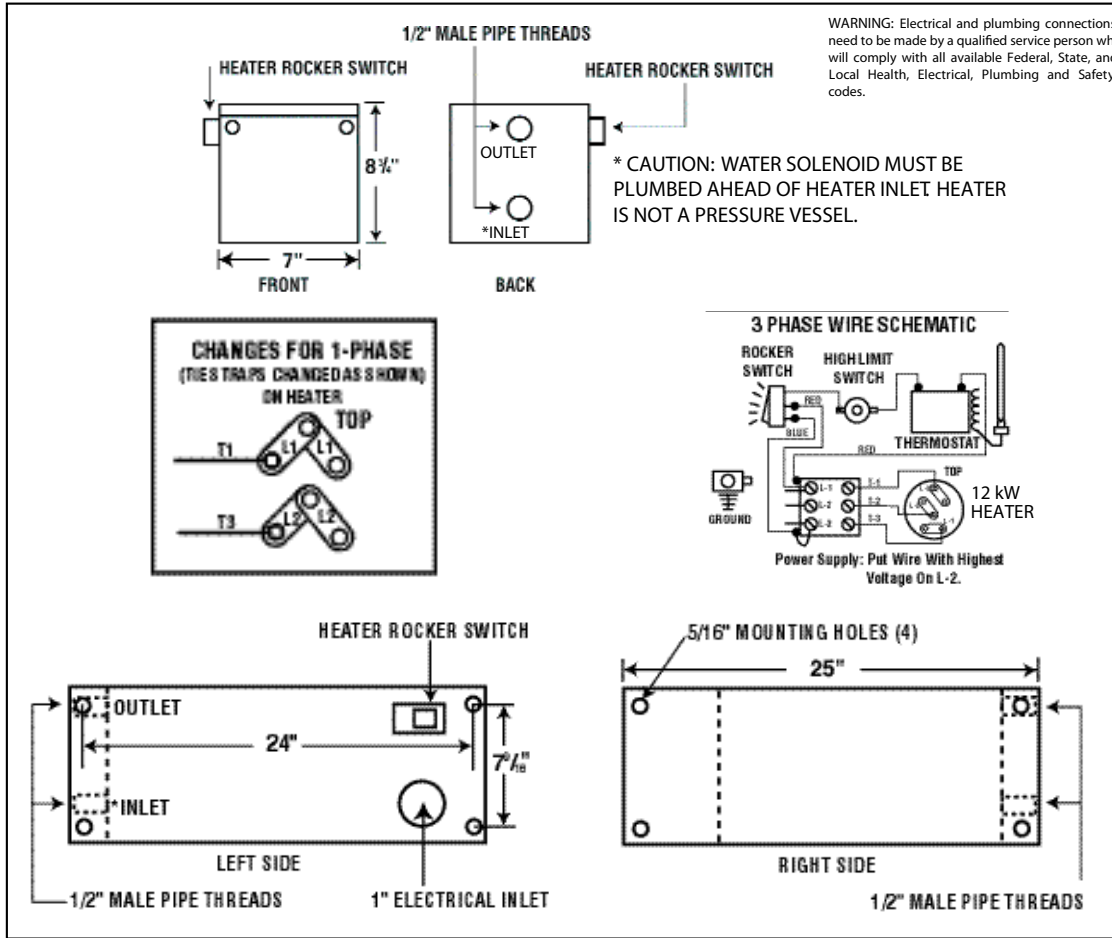
MODEL AH WITH TEMP-SURE™ HEATER



Temp-Sure™ shown as a free standing unit.



MODEL C WITH TEMP-SURE™ HEATER



The CMA-Temp-Sure™ option assures a continuous supply of 140°F hot water resulting in excellent dish-machine performance. The heater is custom-designed for fill and dump CMA single tank dishwashers as a factory added option or an infield add-on. The heater will also fit most competitor's single tank dishmachines.

SPECIFICATIONS:

MODEL: CMA TEMP-SURE™	USA	METRIC	
MIN. INCOMING WATER TEMP.	100°F	(55°C)	
RISE	40°F	(22°C)	
AVAILABLE HOT WATER	90 GPH	(341LPH)	
HEATER TANK CAPACITY	2.6 GAL	(9.8L)	
ELECTRICAL RATING	VOLTS	PHASE	AMPS
	208	1	44
	240	1	51
	208	3	26
	240	3	30